

RED LASER DIODE

DL-LS1158

Tentative



Ver.1 Jan. 2005

Features

- Short wavelength : 638 nm (Typ.)
- High output power : 40 mW (CW)
- Low threshold current : I_{th} = 65 mA (Typ.)
- Low operating voltage : V_{op} = 2.4V (Typ.)

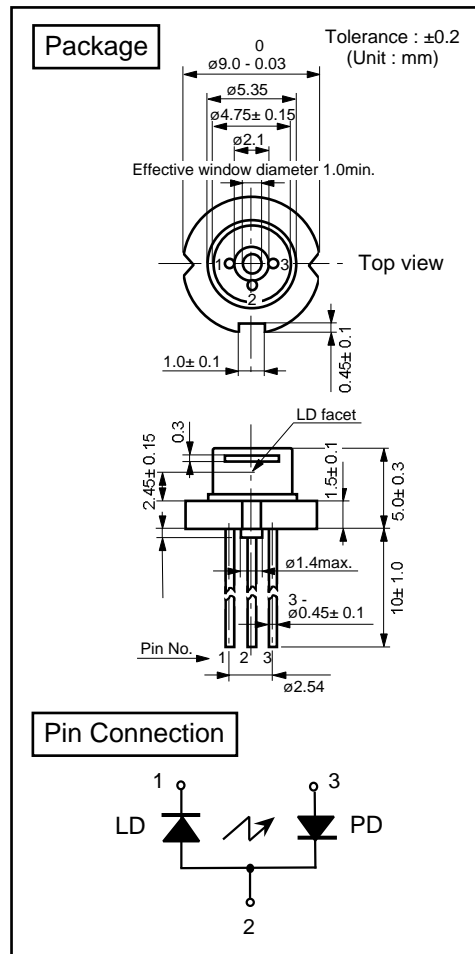
Applications

- Bar-code scanner
- Line marker , Leveler
- Laser display

Absolute Maximum Ratings

(T_c=25°C)

Parameter		Symbol	Ratings	Unit
Light Output	CW	P _o (CW)	40	mW
Reverse Voltage	Laser	V _R	2	V
	PD		30	
Operating Temperature		T _{opr}	-10 to +50	°C
Storage Temperature		T _{stg}	-40 to +85	°C



Electrical and Optical Characteristics 1) 2)

(T_c=25°C)

Parameter	Symbol	Condition	Min.	Typ.	Max.	Unit
Threshold Current	I _{th}	CW	-	65	-	mA
Operating Current	I _{op}	P _o =40mW	-	112	-	mA
Operating Voltage	V _{op}	P _o =40mW	-	2.4	-	V
Lasing Wavelength	L _p	P _o =40mW	-	638	-	nm
Beam ³⁾ Divergence	Perpendicular	Q _v	-	16	-	°
	Parallel	Q _h	-	8	-	°
Off Axis Angle	Perpendicular	dQ _v	-	-3	3	°
	Parallel	dQ _h	-	-3	3	°
Differential Efficiency	SE	-	-	0.8	-	mW/mA
Monitoring Output Current	I _m	P _o =40mW	-	0.2	-	mA

1) Initial values 2) All the above values are evaluated with Tottori Sanyo's measuring apparatus
 3) Full angle at half maximum

Note : The above product specification are subject to change without notice.

Tottori SANYO Electric Co., Ltd. Photonics Business Unit
 5-318, Tachikawa, Tottori 680-8634 Japan TEL : +81-857-21-2137 FAX : +81-857-21-2161