

AlGaInP Visible Laser Diode

DL-6552SL

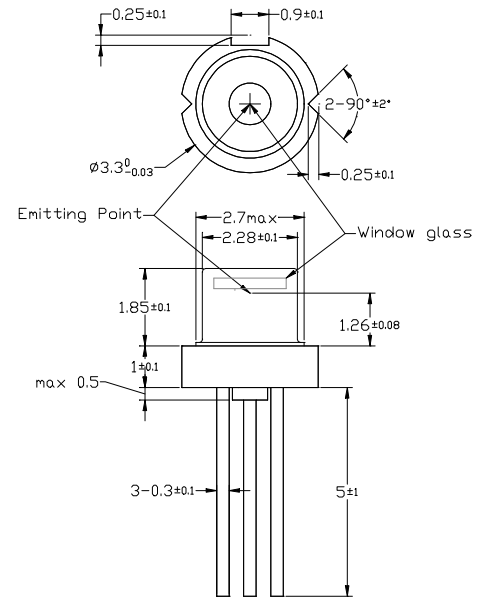
DATE : 2005/10/18 Ver 1.0

★650nm 5mW 50°C Low Current Operation!**★φ3.3mm Mini Package!****•Features**

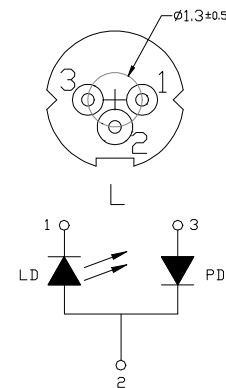
1. Small package
2. Low operating current
3. High efficiency
4. FFP single lateral mode

•Applications

1. Laser pointers
2. Industrial laser markers / measuring instruments
3. Bar code readers

**•Absolute maximum ratings**

Parameter	Symbol	Condition	Rating	Unit
Light output power	P_O	CW	7	mW
Reverse voltage (LD)	V_{RL}	-	2	V
Reverse voltage (PD)	V_{RD}	-	30	V
Forward current (PD)	I_{FD}	-	10	mA
Case temperature	T_C	-	-10~+50	°C
Storage temperature	T_S	-	-40~+85	°C

**•Electrical and optical characteristics (T_c=25 °C)**

Parameter	Symbol	Min.	Typ.	Max.	Unit	Conditions
Peak wavelength	λ	645	655	660	nm	$P_o=5mW$
Threshold current	I_{th}	-	15	20	mA	
Operating current	I_{op}	-	20	22	mA	$P_o=5mW$
Operating voltage	V_{op}	-	2.2	2.5	V	$P_o=5mW$
Differential efficiency	η	0.5	1.0	1.4	mW/mA	$P_o=3-5mW$
Monitor current	I_m	0.05	0.1	0.3	mA	$P_o=5mW, V_{RD}=5V$
Parallel divergence angle	$\theta_{ }$	6	8	12	deg	
Perpendicular divergence angle	θ_{\perp}	24	27	32	deg	
Parallel FFP deviation angle	$\Delta\theta_{ }$	-3	0	+3	deg	$P_o=5mW$
Perpendicular FFP deviation angle	$\Delta\theta_{\perp}$	-3	0	+3	deg	
Emission point accuracy	$\Delta x \Delta y \Delta z$	-80	0	+80	um	

•Precautions

- * Do not operate the device above maximum ratings. Doing so may cause unexpected and permanent damage to the device.
- * Take precautions to avoid electrostatic discharge and/or momentary power spikes. A change in the characteristics of the laser or premature failure may result.
- * Proper heat sinking of the device assures stability and lifetime. Always ensure that maximum operating temperatures are not exceeded.
- * Observing visible or invisible laser beams with the human eye directly, or indirectly, can cause permanent damage. Use a camera to observe the laser.
- * No laser device should be used in any application or situation where life or property is at risk in event of device failure.
- * Specifications are subject to change without notice. Ensure that you have the latest specification by contacting us prior to purchase or use of the product.

AlGaInP Visible Laser Diode

DL-6552SL

DATE : 2005/10/18 Ver 1.0

