

# AlGaInP Visible Laser Diode

**DL-6575SL**

DATE: 2005/10/03 Ver 1.0

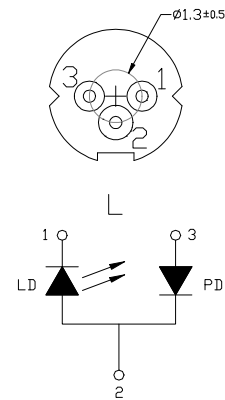
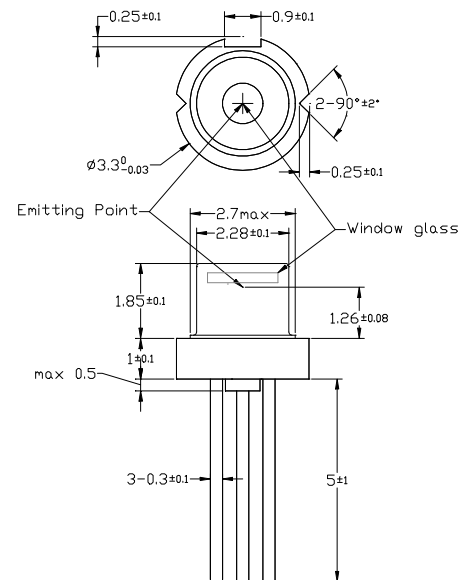
*φ3.3mm Mini Package!*  
*7mW Reliable Operation*

**•Features**

1. Smallest package
2. Low operating current
3. Higher power

**•Applications**

1. Super slim DVD/Combo OPU
2. Mini size optical modules
3. Laser sensor

**•Absolute maximum ratings**

Parameter	Symbol	Condition	Rating	Unit
Light output power	$P_O$	CW	10	mW
Reverse voltage (LD)	$V_{RL}$	-	2	V
Reverse voltage (PD)	$V_{RD}$	-	30	V
Forward current (PD)	$I_{FD}$	-	10	mA
Case temperature	$T_C$	-	-10~+70	°C
Storage temperature	$T_S$	-	-40~+85	°C

**•Electrical and optical characteristics ( $T_c=25^\circ\text{C}$ )**

Parameter	Symbol	Min.	Typ.	Max.	Unit	Conditions
Peak wavelength	$\lambda$	645	655	660	nm	$P_o=7\text{mW}$
Threshold current	$I_{th}$	-	20	25	mA	$P_o=1\sim 2\text{mW}$
Operating current	$I_{op}$	-	25	35	mA	$P_o=7\text{mW}$
Operating voltage	$V_{op}$	-	2.2	2.5	V	$P_o=7\text{mW}$
Differential efficiency	$\eta$	0.7	0.9	1.2	mW/mA	$P_o=5\sim 7\text{mW}$
Monitor current	$I_m$	0.1	0.2	0.3	mA	$P_o=7\text{mW}, V_{RD}=5\text{V}$
Parallel divergence angle	$\theta_{  }$	6	9	12	deg	$P_o=7\text{mW}$
Perpendicular divergence angle	$\theta_{\perp}$	25	28	32	deg	
Parallel FFP deviation angle	$\Delta\theta_{  }$	-3	0	+3	deg	
Perpendicular FFP deviation angle	$\Delta\theta_{\perp}$	-3	0	+3	deg	
Emission point accuracy	$\Delta x \Delta y \Delta z$	-80	0	+80	um	

**•Precautions**

- \* Do not operate the device above maximum ratings. Doing so may cause unexpected and permanent damage to the device.
- \* Take precautions to avoid electrostatic discharge and/or momentary power spikes. A change in the characteristics of the laser or premature failure may result.
- \* Proper heat sinking of the device assures stability and lifetime. Always ensure that maximum operating temperatures are not exceeded.
- \* Observing visible or invisible laser beams with the human eye directly, or indirectly, can cause permanent damage. Use a camera to observe the laser.
- \* No laser device should be used in any application or situation where life or property is at risk in event of device failure.
- \* Specifications are subject to change without notice. Ensure that you have the latest specification by contacting us prior to purchase or use of the product

# AlGaInP Visible Laser Diode

## DL-6575SL

DATE: 2005/10/03 Ver 1.0

