

RED LASER DIODE

DL-LS1163

Tentative

SANYO

Ver.1 .Jan. 2005

Features

- Short wavelength : 658 nm (Typ.)
- High output power : 40 mW at 60°C (CW)
- Low threshold current : I_{th} = 30 mA (Typ.)
- Package : $\phi 5.6$ mm

Applications

Bar-code scanner

Absolute Maximum Ratings

(T_c=25°C)

Parameter		Symbol	Rated	Unit
Light Output	CW	P _o	45	mW
Reverse Voltage	Laser	V _R	2	V
	PD		30	
Operating Temperature		T _{opr}	-10 to +60	°C
Storage Temperature		T _{stg}	-40 to +85	°C

Electrical and Optical Characteristics

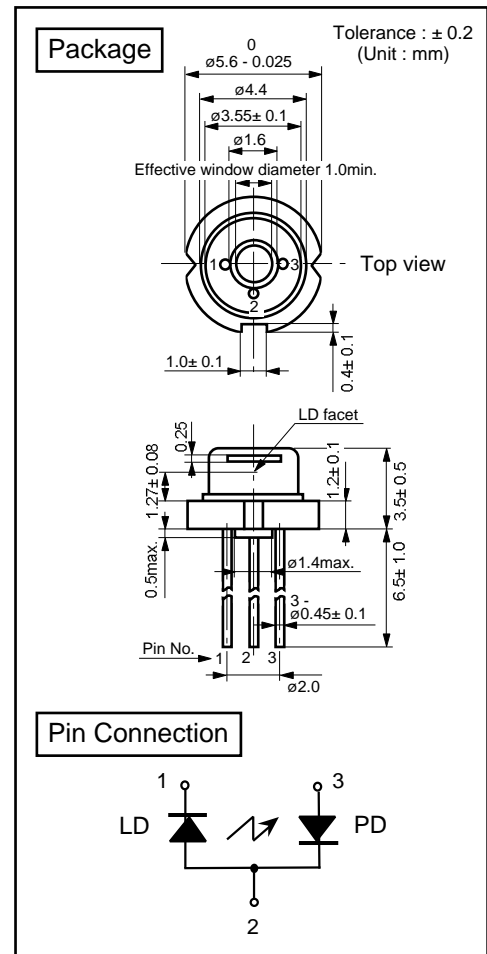
2) 3)

Parameter		Symbol	Condition	Min.	Typ.	Max.	Unit
Threshold Current		I _{th}	CW	-	30	50	mA
Operating Current		I _{op}	P _o =40mW	-	65	85	mA
Operating Voltage		V _{op}	P _o =40mW	-	2.4	2.8	V
Lasing Wavelength		L _p	P _o =40mW	650	658	665	nm
Beam Divergence ⁴⁾	Perpendicular	Q _v	P _o =40mW	12	16	20	°
	Parallel	Q _h	P _o =40mW	6	9.5	12	°
Off Axis Angle	Perpendicular	dQ _v	-	-3	-	3	°
	Parallel	dQ _h	-	-3	-	3	°
Differential Efficiency		SE	-	-	1.1	-	mW/mA
Monitoring Output Current		I _m	P _o =40mW	0.1	0.3	0.6	mA

2) Initial values 3) All the above values are evaluated with Tottori Sanyo's measuring apparatus

4) Full angle at half maximum

Note : The above product specification are subject to change without notice.

(T_c=25°C)Tottori SANYO Electric Co., Ltd.
5-318, Tachikawa, Tottori 680-8634 JapanPhotonics Business Unit
TEL : +81-857-21-2137 FAX : +81-857-21-2161

Sales: Creative Technology Lasers USA 925.210.1330 Tele 925.210.1380 FAX